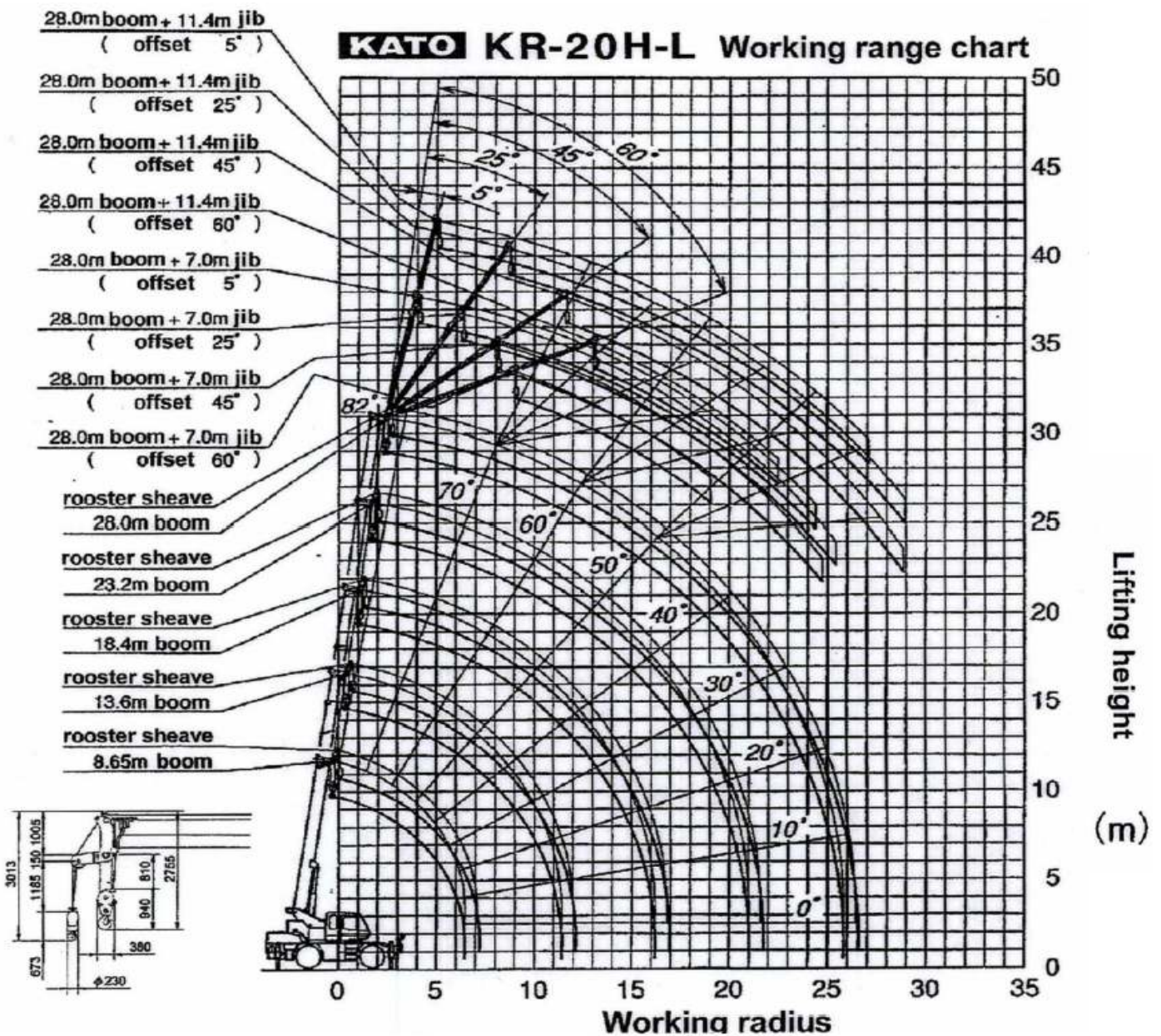


KATO KR-20H

20 TONNE HYDRAULIC SLEW CRANE



Range Diagram



KATO KR-20H-L ROUGH TERRAIN HYDRAULIC CRANE

CHART 1: 8.65m – 28.0m boom (outriggers are used)

TOTAL RATED LOAD IN TONNES

WORKING RADIUS (m)	OUTRIGGERS AT MAXIMUM EXTENSION (5.4m) (360°)					OUTRIGGERS AT MEDIUM EXTENSION (4.7m) (OVER THE SIDE)					OUTRIGGERS AT MEDIUM EXTENSION (3.7m) (OVER THE SIDE)					OUTRIGGERS AT MEDIUM EXTENSION (2.9m) (OVER THE SIDE)					OUTRIGGERS AT MINIMUM EXTENSION (2.04m) (OVER THE SIDE)					WORKING RADIUS (m)
	8.65m BOOM	13.6m BOOM	18.4m BOOM	23.2m BOOM	28.0m BOOM	8.65m BOOM	13.6m BOOM	18.4m BOOM	23.2m BOOM	28.0m BOOM	8.65m BOOM	13.6m BOOM	18.4m BOOM	23.2m BOOM	28.0m BOOM	8.65m BOOM	13.6m BOOM	18.4m BOOM	23.2m BOOM	28.0m BOOM	8.65m BOOM	13.6m BOOM	18.4m BOOM	23.2m BOOM	28.0m BOOM	
	2.0	20.00*	10.00	8.00			20.00*	10.00	8.00			20.00*	10.00	8.00			18.00	10.00	7.40			9.00	9.00	7.40		
2.5	20.00*	10.00	8.00	6.50		20.00*	10.00	8.00	6.50		20.00*	10.00	8.00	6.50		18.00	10.00	7.40	5.10		9.00	9.00	7.40	5.10		2.5
3.0	20.00*	10.00	8.00	6.50		20.00*	10.00	8.00	6.50		17.00	10.00	8.00	6.50		12.00	10.00	7.40	5.10		6.70	7.10	6.75	5.10		3.0
3.5	17.00	10.00	8.00	6.50	5.00	17.00	10.00	8.00	6.50	5.00	14.50	10.00	8.00	6.50	5.00	9.00	9.50	7.40	5.10	3.80	5.00	5.50	5.55	5.10	3.50	3.5
4.0	14.80	10.00	8.00	6.50	5.00	14.80	10.00	8.00	6.50	5.00	11.00	10.00	8.00	6.50	5.00	7.00	7.40	7.40	5.10	3.80	4.00	4.35	4.50	4.35	3.50	4.0
4.5	12.80	10.00	8.00	6.50	5.00	12.80	10.00	8.00	6.50	5.00	8.75	9.10	8.00	6.50	5.00	5.60	6.00	6.15	5.10	3.80	3.20	3.55	3.70	3.70	3.10	4.5
5.0	11.20	9.80	7.90	6.50	5.00	11.00	9.80	7.90	6.50	5.00	7.10	7.50	7.65	6.50	5.00	4.65	5.00	5.10	5.10	3.80	2.65	2.95	3.10	3.15	2.70	5.0
5.5	10.00	9.10	7.45	6.20	5.00	9.20	9.10	7.45	6.20	5.00	6.00	6.30	6.45	6.20	5.00	3.90	4.20	4.35	4.45	3.80	2.20	2.50	2.60	2.70	2.35	5.5
6.0	9.00	8.40	7.00	5.90	5.00	7.80	8.10	7.00	5.90	5.00	5.10	5.40	5.50	5.60	5.00	3.30	3.60	3.75	3.80	3.80	1.85	2.15	2.25	2.30	2.410	6.0
6.5		7.80	6.55	5.50	4.80		7.00	6.55	5.50	4.80		4.65	4.80	4.90	4.80		3.15	3.25	3.35	3.40		1.80	1.95	2.00	1.85	6.5
7.0		7.30	6.20	5.20	4.60		6.10	6.20	5.20	4.60		4.10	4.20	4.30	4.35		2.75	2.85	2.90	3.00		1.55	1.65	1.75	1.60	7.0
8.0		6.10	5.60	4.70	4.10		4.80	4.90	4.70	4.10		3.20	3.30	3.40	3.45		2.10	2.20	2.30	2.35		1.15	1.25	1.30	1.25	8.0
9.0		4.90	5.05	4.20	3.70		3.90	4.00	4.05	3.70		2.60	2.70	2.75	2.80		1.65	1.75	1.85	1.90		0.85	0.95			9.0
10.0		4.05	4.20	3.80	3.40		3.20	3.30	3.35	3.40		2.10	2.20	2.25	2.30		1.30	1.40	1.50	1.55		0.55	0.70			10.0
11.0		3.40	3.55	3.45	3.05		2.70	2.75	2.80	2.85		1.70	1.80	1.90	1.95		1.05	1.15	1.20	1.25						11.0
12.0			3.00	3.05	2.80			2.35	2.40	2.45			1.50	1.60	1.60			0.90	0.95	1.00						12.0
13.0			2.60	2.65	2.55			2.00	2.05	2.10			1.25	1.35	1.35			0.70	0.75	0.80						13.0
14.0			2.25	2.30	2.35			1.75	1.75	1.80			1.05	1.10	1.15			0.50	0.55	0.60						14.0
15.0			2.00	2.00	2.05			1.50	1.55	1.55			0.85	0.90	0.95											15.0
16.0				1.75	1.80				1.35	1.35				0.70	0.75											16.0
17.0				1.55	1.60				1.15	1.15				0.55	0.60											17.0
18.0				1.35	1.40				0.95	1.00				0.45	0.50											18.0
19.0				1.15	1.20				0.80	0.85																19.0
20.0				1.00	1.05				0.65	0.70																20.0
21.0					0.90					0.55																21.0
22.0					0.80					0.45																22.0
23.0					0.65																					23.0
24.0					0.55																					24.0
25.0					0.45																					25.0
CRITICAL BOOM ANGLE									25°					28°	43°			26°	43°	55°			48°	64°	69°	CRITICAL BOOM ANGLE
Standard Hook	20t hook					20t hook					20t hook					20t hook					20t hook					Standard Hook
Hook Mass	200kg					200kg					200kg					200kg					200kg					Hook Mass
Parts of Line	7*,6	4	4	4	4	7*,6	4	4	4	4	7*,6	4	4	4	4	6	4	4	4	4	4	4	4	4	4	Parts of Line

Note: * marked rated lifting capacities is for 7 part lines

Capacities above bold outline of area of chart are limited by crane structural strength. All other loads are limited by 75% of tipping.

KATO KR-20H-L ROUGH TERRAIN HYDRAULIC CRANE

CHART 2: 8.65m – 28.0m boom (outriggers + jib are used)

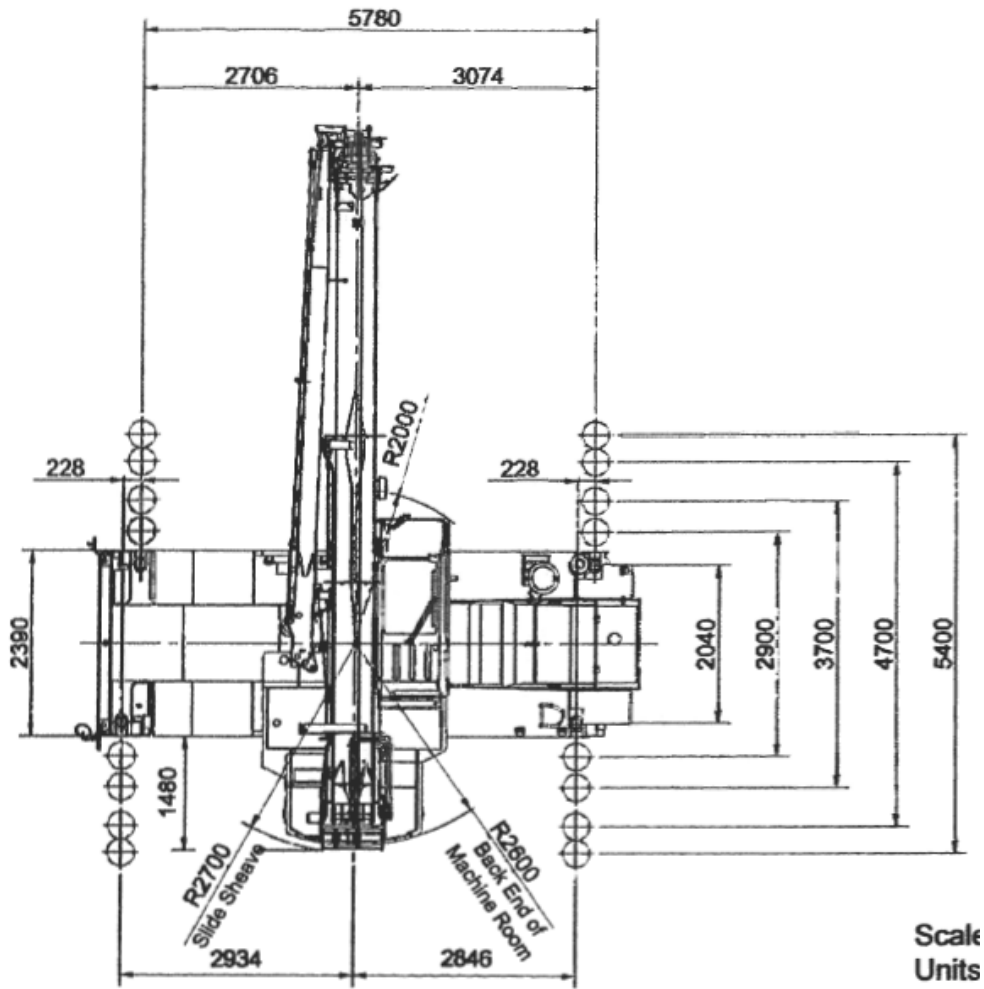
TOTAL RATED LOAD IN TONNES

2 8.0m Boom + 7.0 Jib																											
OUTRIGGERS AT MAXIMUM EXTENSION (5.4m) (360°)									OUTRIGGERS AT MEDIUM EXTENSION (4.7m) (OVER THE SIDE)									OUTRIGGERS AT MEDIUM EXTENSION (3.7m) (OVER THE SIDE)									
Boom Angle (°)	Offset 5°		Offset 25°		Offset 45°		Offset 60°		Boom Angle (°)	Offset 5°		Offset 25°		Offset 45°		Offset 60°		Boom Angle (°)	Offset 5°		Offset 25°		Offset 45°		Offset 60°		
	Working radius (m)	Load (ton)	Working radius (m)	Load (ton)	Working radius (m)	Load (ton)	Working radius (m)	Load (ton)		Working radius (m)	Load (ton)	Working radius (m)	Load (ton)	Working radius (m)	Load (ton)	Working radius (m)	Load (ton)		Working radius (m)	Load (ton)	Working radius (m)	Load (ton)	Working radius (m)	Load (ton)	Working radius (m)	Load (ton)	Working radius (m)
82	4.8	2.50	7.0	1.70	9.0	1.30	9.7	0.75	82	4.8	2.50	7.0	1.70	9.0	1.30	9.7	0.75	82	4.8	2.50	7.0	1.70	9.0	1.30	9.7	0.75	
80	6.3	2.50	8.0	1.70	10.2	1.30	10.8	0.75	80	8.0	2.50	8.0	1.70	10.2	1.30	10.8	0.75	80	6.3	2.50	8.0	1.70	10.2	1.30	10.8	0.75	
75	9.8	2.50	11.6	1.70	13.0	1.30	13.4	0.75	75	9.8	2.50	11.6	1.70	13.0	1.30	13.4	0.75	76	9.1	2.50	11.0	1.70	12.4	1.30	12.9	0.75	
70	12.5	2.00	14.3	1.52	15.6	1.23	15.8	0.75	70	12.5	2.00	14.3	1.52	15.6	1.23	15.8	0.75	75	9.6	2.33	11.6	1.70	13.0	1.30	13.4	0.75	
65	15.2	1.56	16.9	1.29	18.0	1.13	18.1	0.75	68	13.6	1.81	15.4	1.43	16.6	1.20	16.7	0.75	74	10.1	2.10	12.2	1.68	13.5	1.29	13.9	0.75	
63	16.2	1.44	17.9	1.11	18.9	1.09	19.1	0.75	67	14.1	1.68	15.9	1.39	17.1	1.19	17.2	0.75	72	11.2	1.75	13.2	1.43	14.6	1.26	14.8	0.75	
60.5	17.7	1.27	19.2	1.08	20.0	1.00			66	14.6	1.54	16.4	1.29	17.5	1.16	17.7	0.75	70	12.2	1.45	14.2	1.19	15.5	1.03	15.8	0.75	
60	17.9	1.22	19.4	1.05	20.3	0.96			65	15.1	1.38	16.9	1.16	18.0	1.06	18.1	0.75	67	13.8	1.06	15.7	0.85	16.9	0.75	17.2	0.75	
55	20.1	0.82	21.6	0.71	22.2	0.61			63	16.1	1.17	17.9	0.98	18.9	0.91	19.0	0.75	65	14.8	0.83	16.7	0.66	17.8	0.58	18.1	0.59	
50	22.3	0.50	23.6	0.45	24.0	0.41			60	17.5	0.88	19.3	0.74	20.2	0.67			64	15.3	0.72	17.2	0.57	18.3	0.51	18.5	0.52	
48	23.1	0.40	24.4	0.35	24.7	0.32			55	19.9	0.49	21.4	0.43	22.1	0.40			62	16.2	0.55	18.1	0.42	19.1	0.38			
45	24.5	0.26	25.5	0.24					53	20.8	0.37	22.2	0.33	22.9	0.29												
									51	21.7	0.26	23.0	0.23														
									50	22.2	0.20																
CRITICAL BOOM ANGLE	43°		43°		46°		61°		CRITICAL BOOM ANGLE	48°		49°		51°		61°		CRITICAL BOOM ANGLE	60°		60°		60°		62°		
Standard Hook	3.2t hook		Hook Mass	60kg		Parts of Line	1		Standard Hook	3.2t hook		Hook Mass	60kg		Parts of Line	1		Standard Hook	3.2t hook		Hook Mass	60kg		Parts of Line	1		

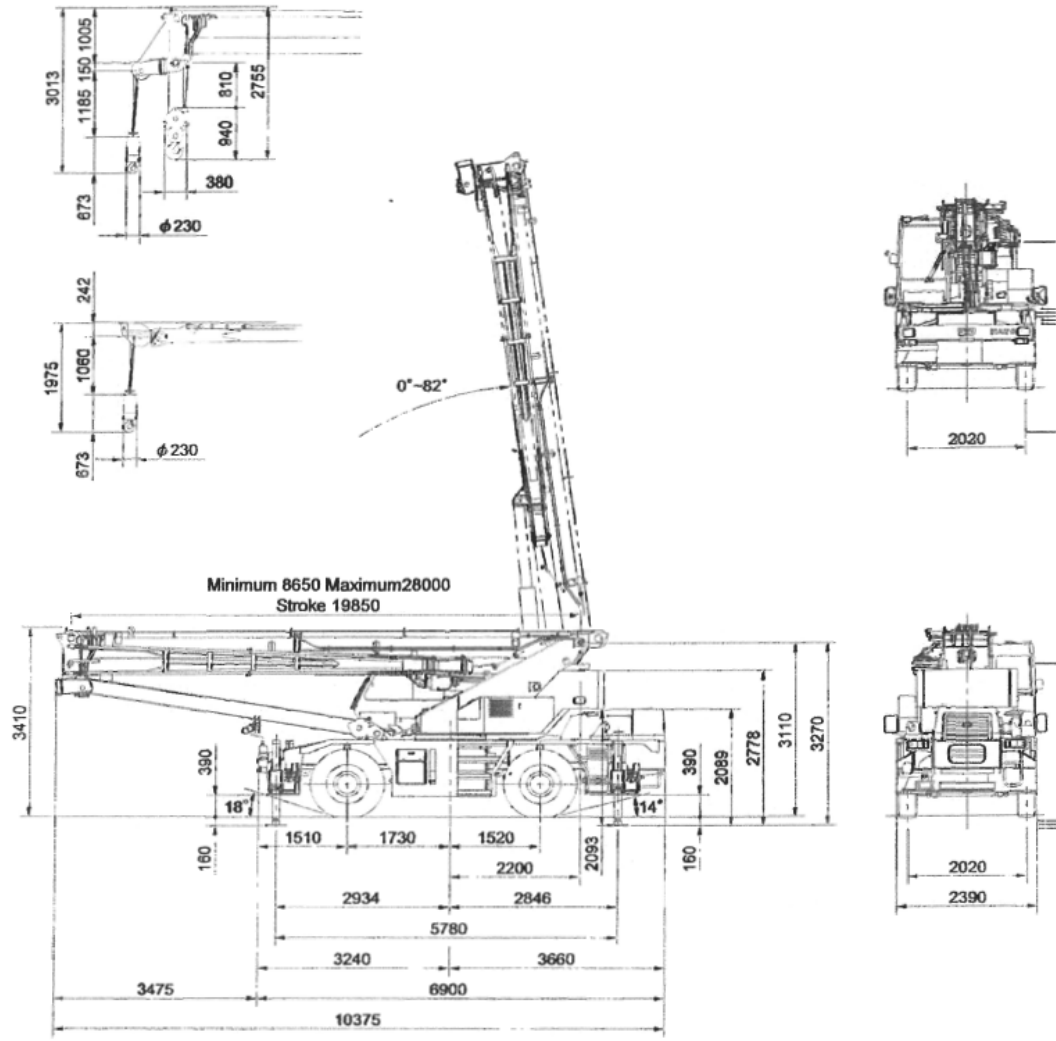
2 8.0m Boom + 11.4 Jib																											
OUTRIGGERS AT MAXIMUM EXTENSION (5.4m) (360°)									OUTRIGGERS AT MEDIUM EXTENSION (4.7m) (OVER THE SIDE)									OUTRIGGERS AT MEDIUM EXTENSION (3.7m) (OVER THE SIDE)									
Boom Angle (°)	Offset 5°		Offset 25°		Offset 45°		Offset 60°		Boom Angle (°)	Offset 5°		Offset 25°		Offset 45°		Offset 60°		Boom Angle (°)	Offset 5°		Offset 25°		Offset 45°		Offset 60°		
	Working radius (m)	Load (ton)	Working radius (m)	Load (ton)	Working radius (m)	Load (ton)	Working radius (m)	Load (ton)		Working radius (m)	Load (ton)	Working radius (m)	Load (ton)	Working radius (m)	Load (ton)	Working radius (m)	Load (ton)		Working radius (m)	Load (ton)	Working radius (m)	Load (ton)	Working radius (m)	Load (ton)	Working radius (m)	Load (ton)	Working radius (m)
82	6.0	1.50	9.5	0.90	12.7	0.75	13.9	0.45	82	6.0	1.50	9.5	0.90	12.7	0.75	13.9	0.45	82	6.0	1.50	9.5	0.90	12.7	0.75	13.9	0.45	
80	7.6	1.50	11.2	0.90	13.9	0.75	14.9	0.45	80	7.6	1.50	11.2	0.90	13.9	0.75	14.9	0.45	80	7.6	1.50	11.2	0.90	13.9	0.75	14.9	0.45	
75	11.3	1.50	14.5	0.89	16.9	0.74	17.5	0.45	75	11.3	1.50	14.5	0.89	16.9	0.74	17.5	0.45	75	11.3	1.50	14.5	0.89	16.9	0.74	17.5	0.45	
70	14.6	1.31	17.4	0.82	19.6	0.71	20.2	0.45	70	14.6	1.31	17.4	0.82	19.6	0.71	20.2	0.45	72.5	13.0	1.44	16.1	0.85	18.3	0.73	18.9	0.45	
65	17.7	1.11	20.3	0.77	22.1	0.68	22.5	0.45	65	17.8	1.08	20.3	0.77	22.1	0.68	22.5	0.45	70	14.5	1.12	17.4	0.82	19.6	0.71	20.2	0.45	
60	20.7	0.94	23.1	0.72	24.6	0.66			64	18.3	1.00	20.9	0.75	22.7	0.67	23.0	0.45	69.5	14.8	1.07	17.9	0.81	19.8	0.70	20.5	0.45	
58.5	21.6	0.83	24.0	0.71	25.3	0.65			63	18.9	0.92	21.5	0.73	23.2	0.66			66	16.8	0.70	19.7	0.55	21.6	0.47	22.1	0.45	
55	23.4	0.61	25.6	0.54	26.5	0.51			60	20.4	0.69	23.0	0.55	24.5	0.49			65	17.4	0.61	20.2	0.49	22.0	0.41	22.5	0.41	
49	26.2	0.32	28.2	0.28	28.9	0.27			55	23.0	0.37	25.4	0.29	26.5	0.25												
47	27.1	0.24	29.0	0.21					54	23.5	0.31	25.8	0.25	26.9	0.21												
CRITICAL BOOM ANGLE	45°		45°		47°		63°		CRITICAL BOOM ANGLE	52°		52°		52°		62°		CRITICAL BOOM ANGLE	63°		63°		63°		63°		
Standard Hook	3.2t hook		Hook Mass	60kg		Parts of Line	1		Standard Hook	3.2t hook		Hook Mass	60kg		Parts of Line	1		Standard Hook	3.2t hook		Hook Mass	60kg		Parts of Line	1		

Capacities above bold outline of area of chart are limited by crane structural strength. All other loads are limited by 75% of tipping.

Dimensions: Kato KR-20H



Scale
Units



Lamp Brake Over Angle : 29°
Overall height when suspension is locked :- 40mm

Scale: 1/100
Units: mm

